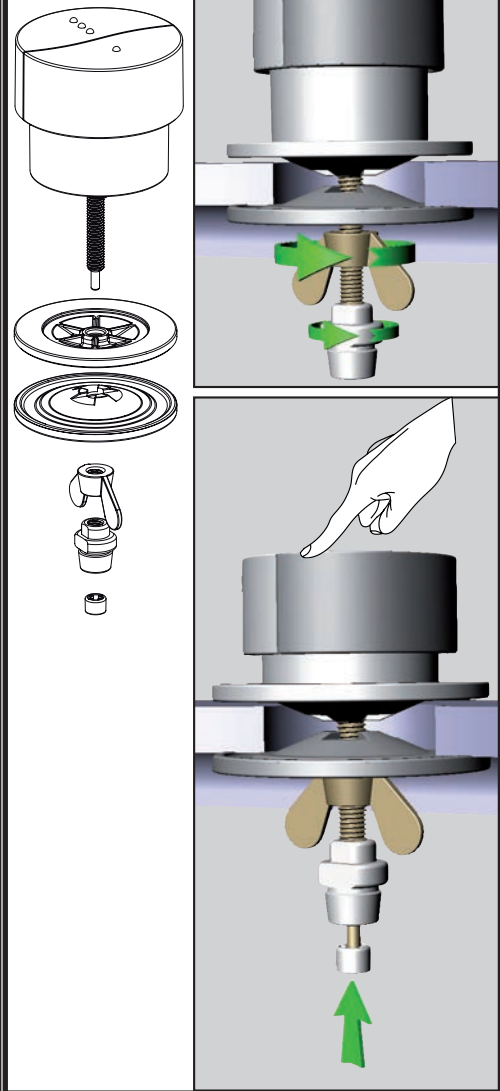
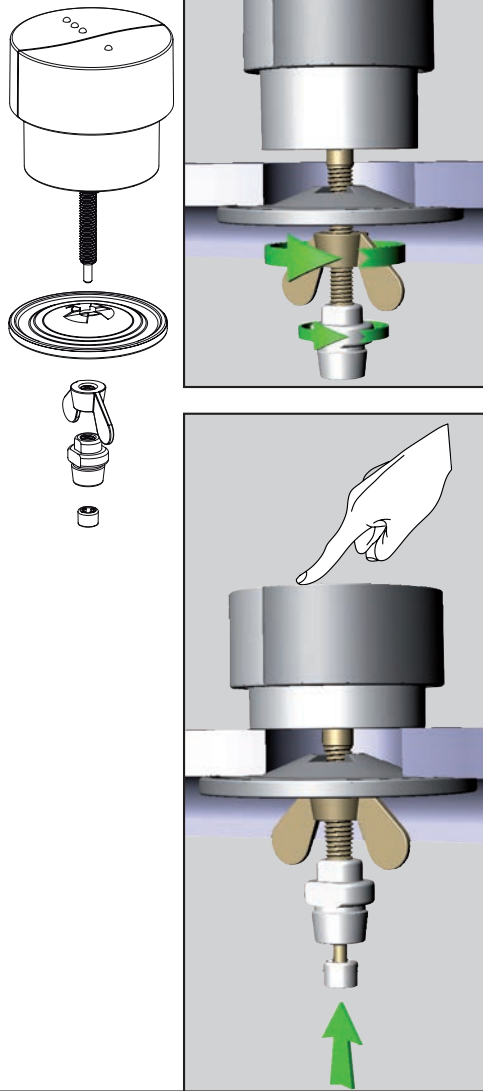
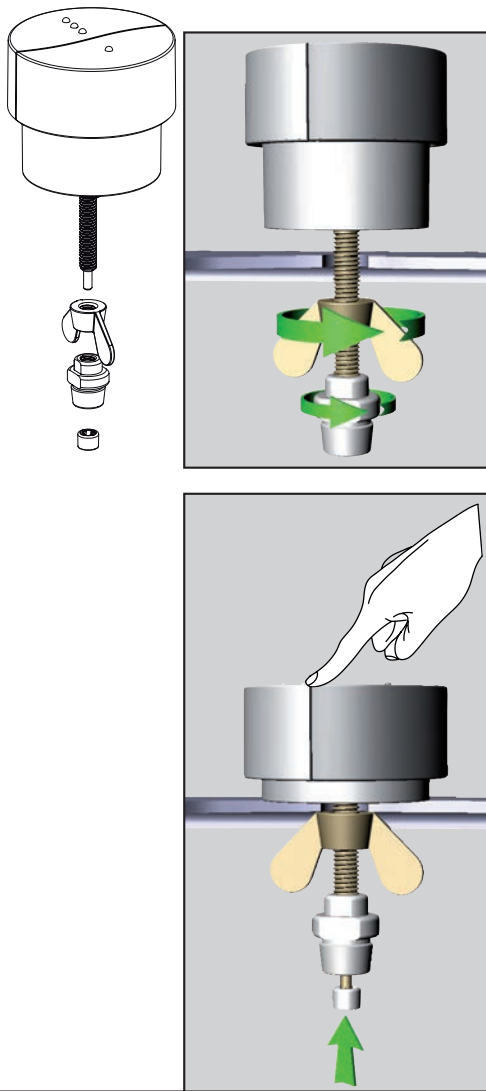


Ø 6-8 mm

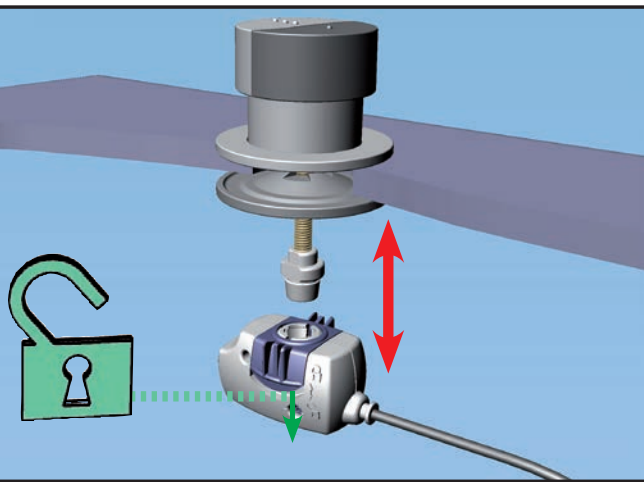
Ø 8-33 mm

Ø 33-50 mm

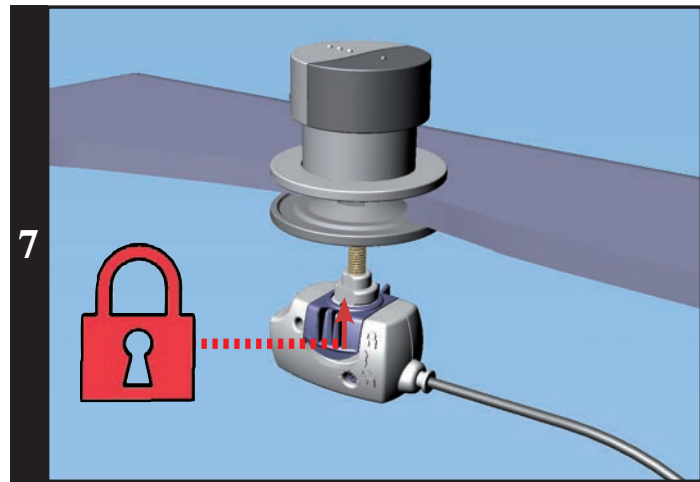
5



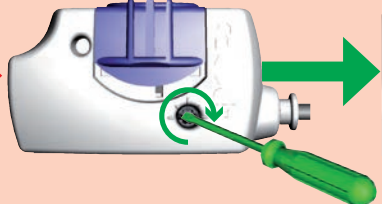






6



7




 = 6L →  →  = 3L

 = 3L →  →  = 6L