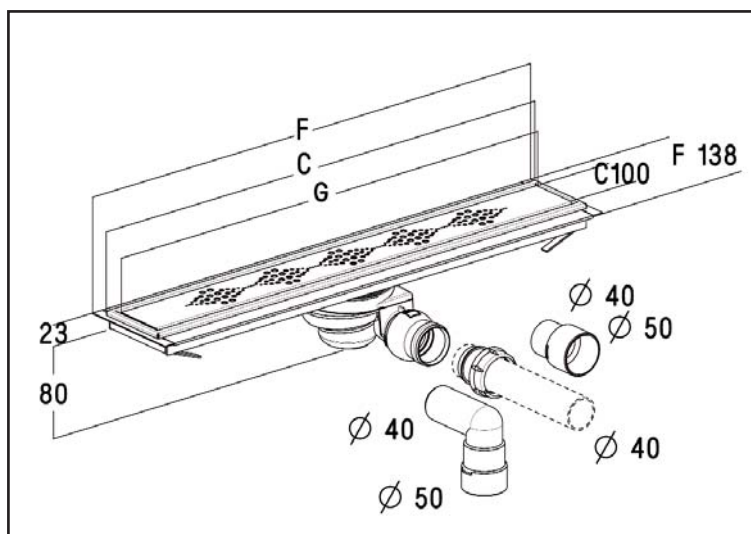


SHOWER CHANNEL ART TO BUILD INTO THE SHOWER FLOOR



grid / frame / pieces ref.	channel only ref.	grid length(G)	frame length(C)	channel length(F)
GFL66 / 0411657 / ART	CS06S / 0205515	650 mm	667 mm	680 mm
GFL67 / 0411658 / ART	CS07S / 0205516	750 mm	767 mm	780 mm
GFL68 / 0411659 / ART	CS08S / 0205517	850 mm	867 mm	880 mm
GFL69 / 0411660 / ART	CS09S / 0205518	950 mm	967 mm	980 mm
GFL6X / 0411661 / ART	CS0XS / 0205519	1150 mm	1167 mm	1180 mm

TECHNICAL FEATURES

- Channel to build into shower floor
- With peripheral watertightness flange
- Adjustable height of the frame/grid to the thickness of the tile
- Stainless steel grid and channel (304)
- High flow rate waste, multidirectional outlet, horizontal or vertical $\varnothing 40$ and $\varnothing 50$
- 5 lengths : 650, 750, 850, 950, 1150 mm

TOP ADVANTAGES

- Watertightness easy to set up ; self-adhesive water-repellent flange on the channel and on the concrete screed
- Outstanding water drainage : Turboflow waste (patented)
- Easy to set : fast assembly of the waste on the channel, height adjustment to the channel thanks to adjustable feet.
- Easy adjustment of the frame to the thickness of the tile thanks to colored pieces sets (3-4 mm, 6 mm, 9 mm, 12 mm)
- Aesthetic : stainless steel finishings and choice of design.



15, avenue Jean Moulin - BP14
69720 St Laurent de Mure
Tel. : + 33 4 72 48 39 00
Fax : + 33 4 78 40 85 78
E. Mail : sas@alixis.com



Sanitaire Accessoires Services - S.A.S
S.a.s au capital de 238 034 euros- APE : 291 F 301 609 269 RCS LYON
N° Identification TVA : FR 82 301 609 269

Site : www.sas-france.com